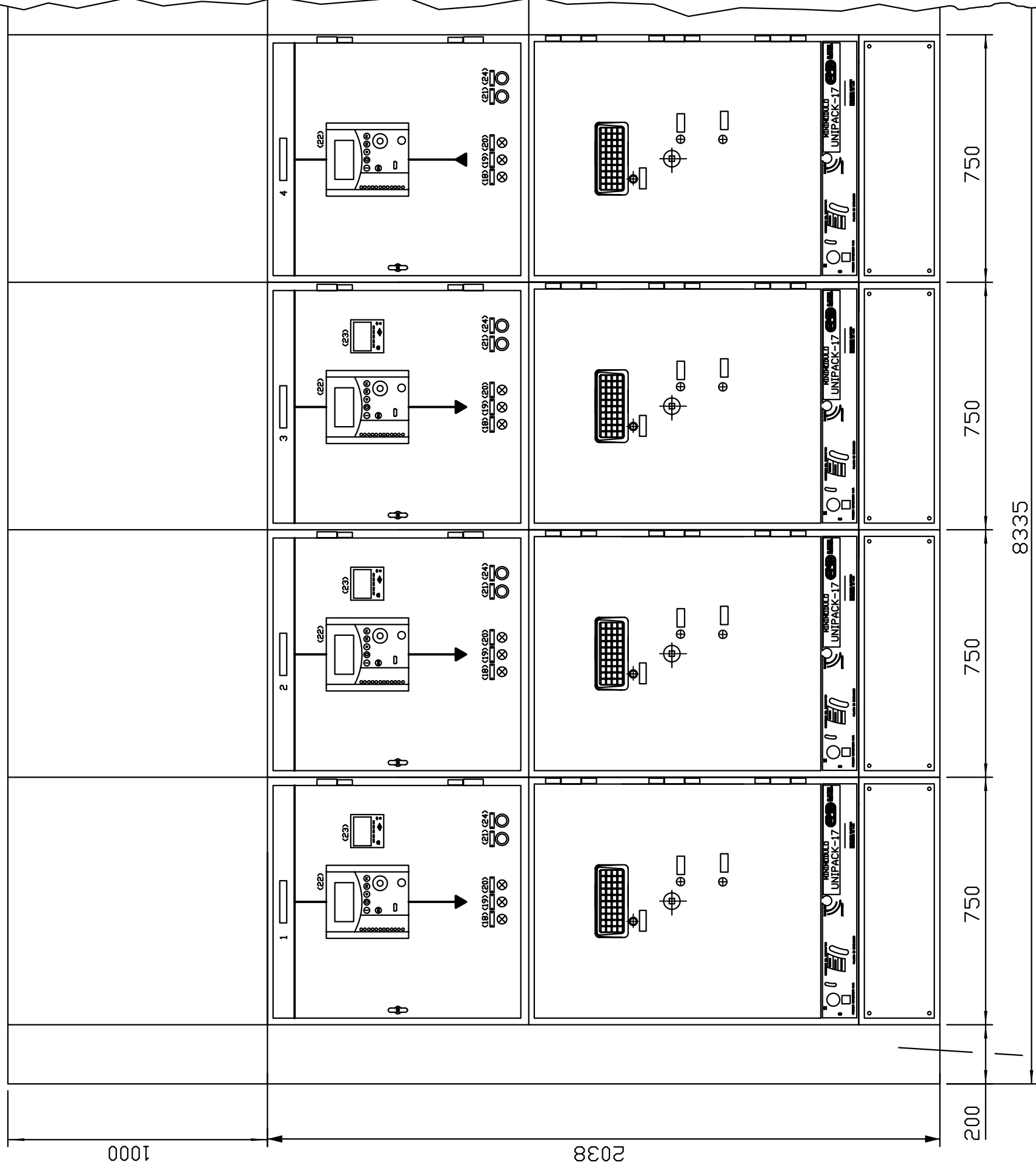




FRONT VIEW

1 2 3 4



SIDE PANEL FOR ARC  
EXTINGUISHING

KENYA POWER AND LIGHTING COMPANY  
KENYA PROJECT KPLC-KABETE SUBSTATION  
11 KV PANELS UNIMET C - INDOOR TYPE  
GENERAL ARRANGEMENT - FRONT VIEW



F0856-01-0001

A

SHEET 2 OF 6



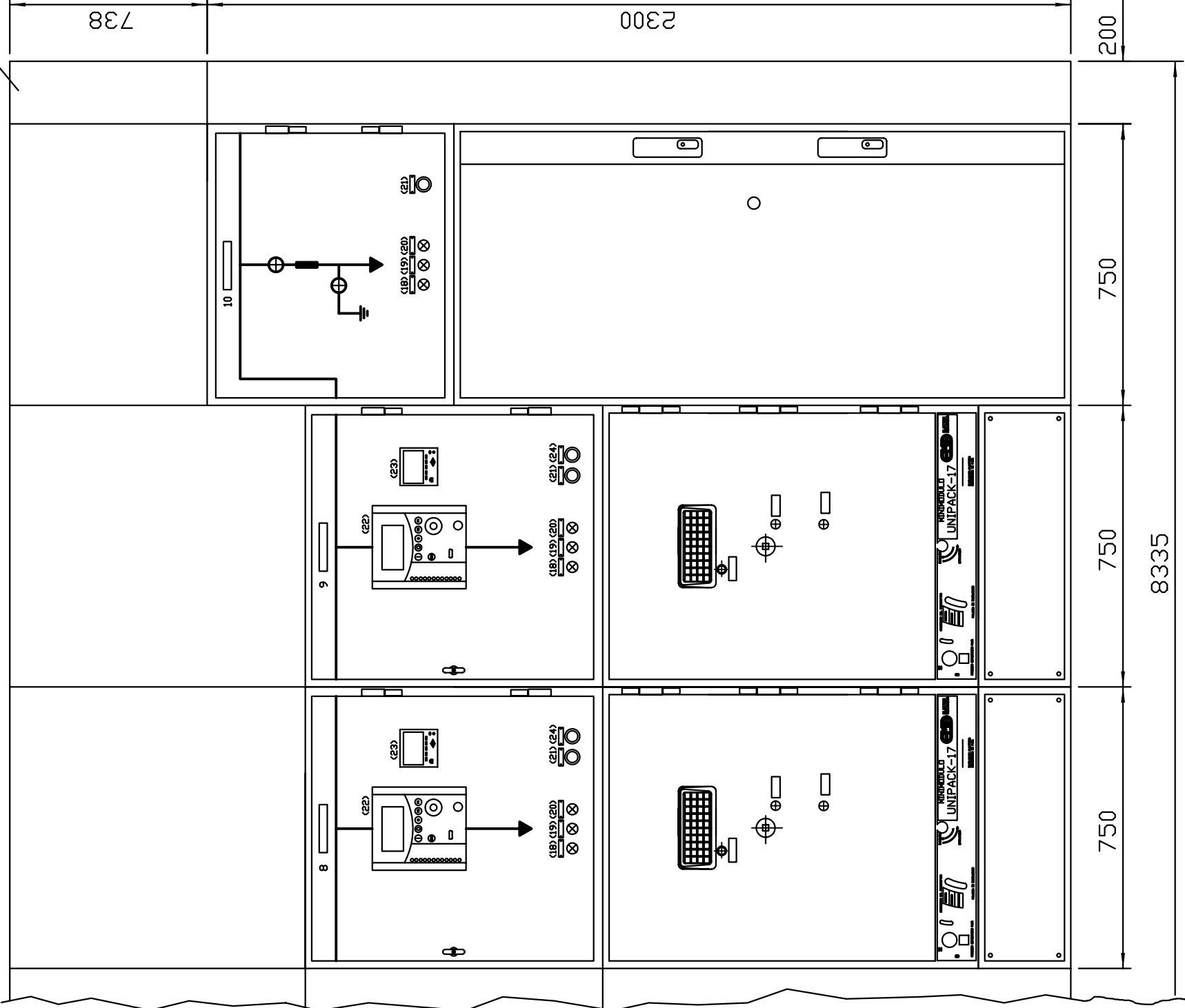
FRONT VIEW

8

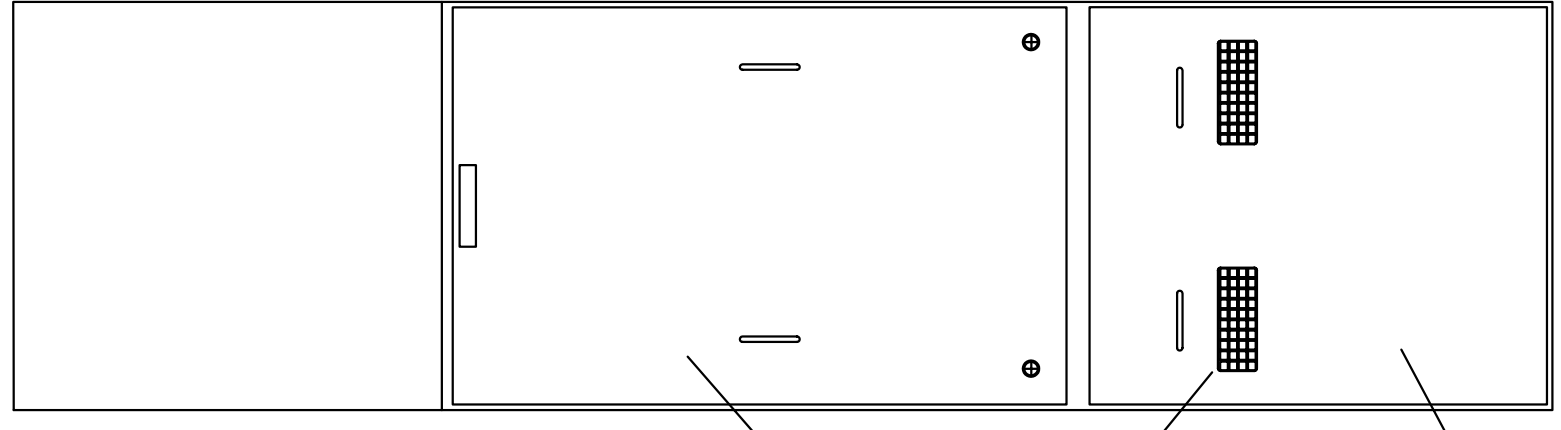
9

10

SIDE PANEL FOR ARC  
EXTINGUISHING



REAR VIEW



KENYA POWER AND LIGHTING COMPANY  
 KENYA PROJECT KPLC-KABETE SUBSTATION  
 11 KV PANELS UNIMET C - INDOOR TYPE  
 GENERAL ARRANGEMENT - FRONT AND REAR VIEW

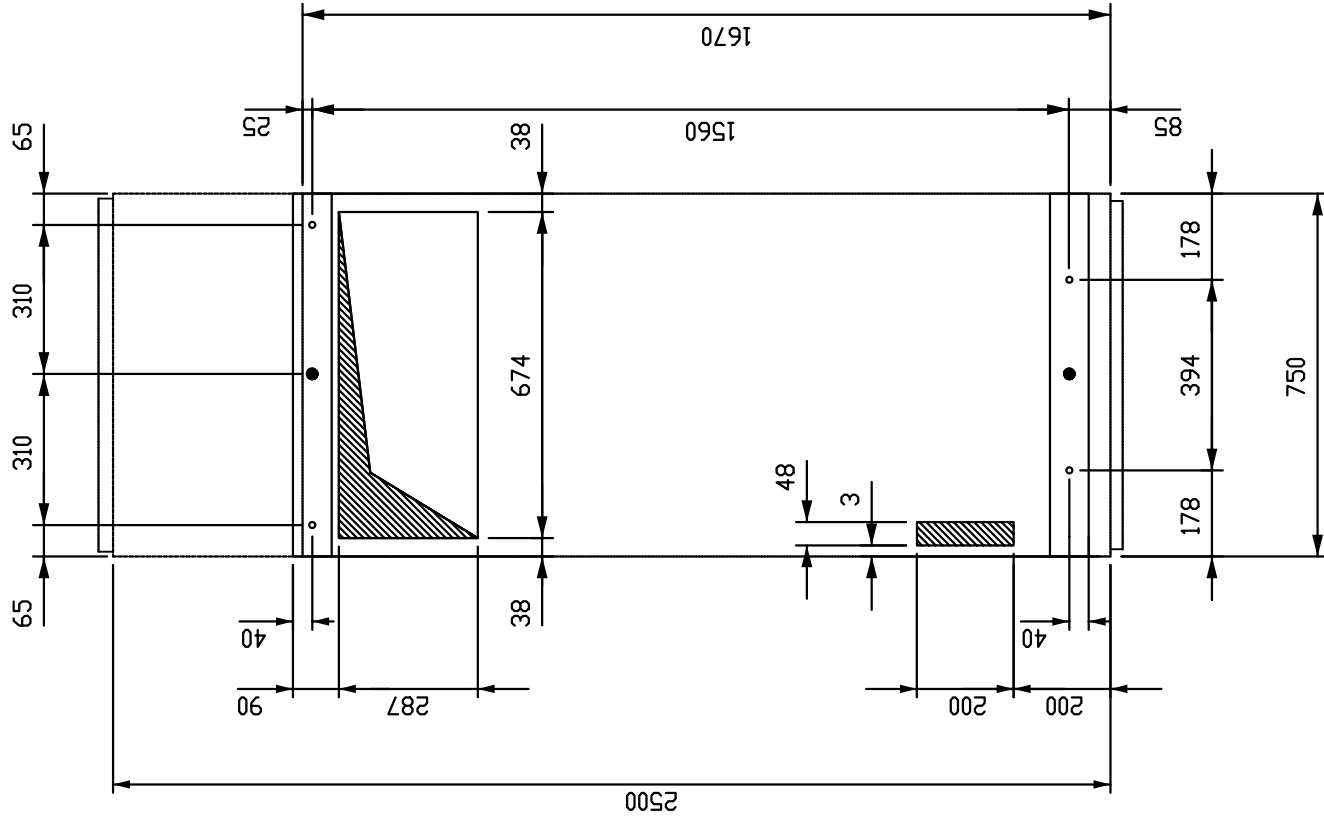
F0856-01-0001

A									
---	--	--	--	--	--	--	--	--	--

SHEET 4 OF 6

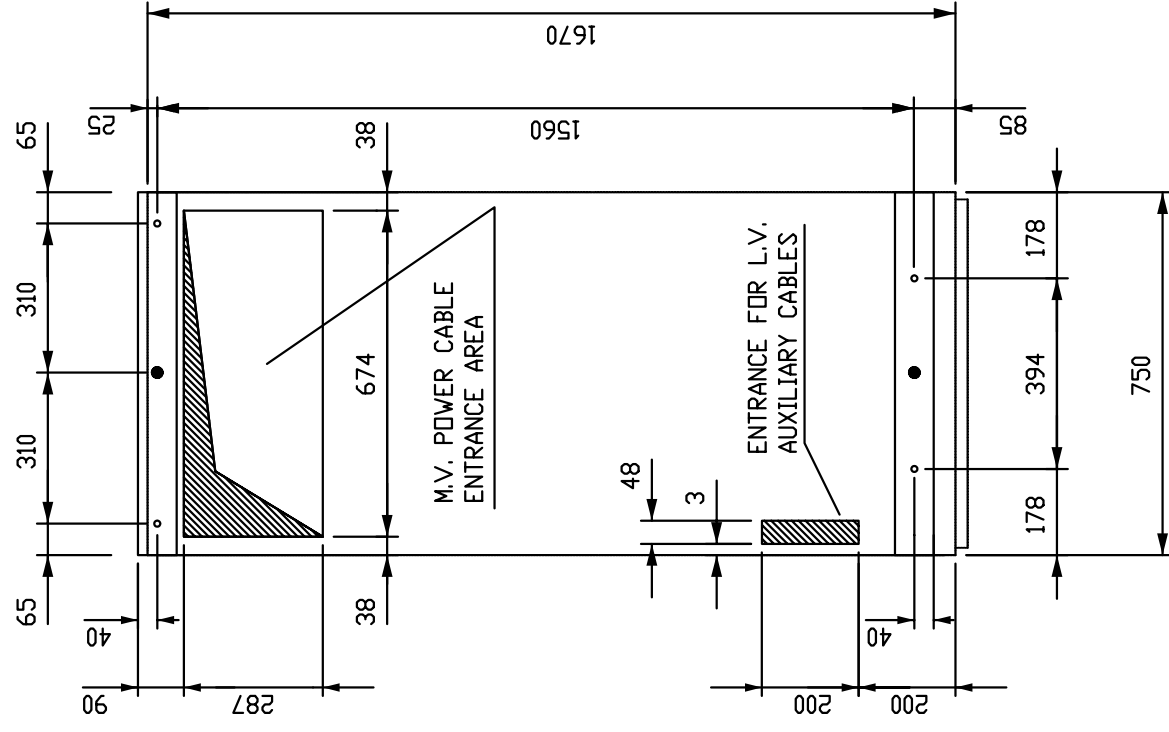
**BASES AND ANCHORAGE**

**BASE DETAIL FOR TRANSFORMER  
INCOMER FEEDER**



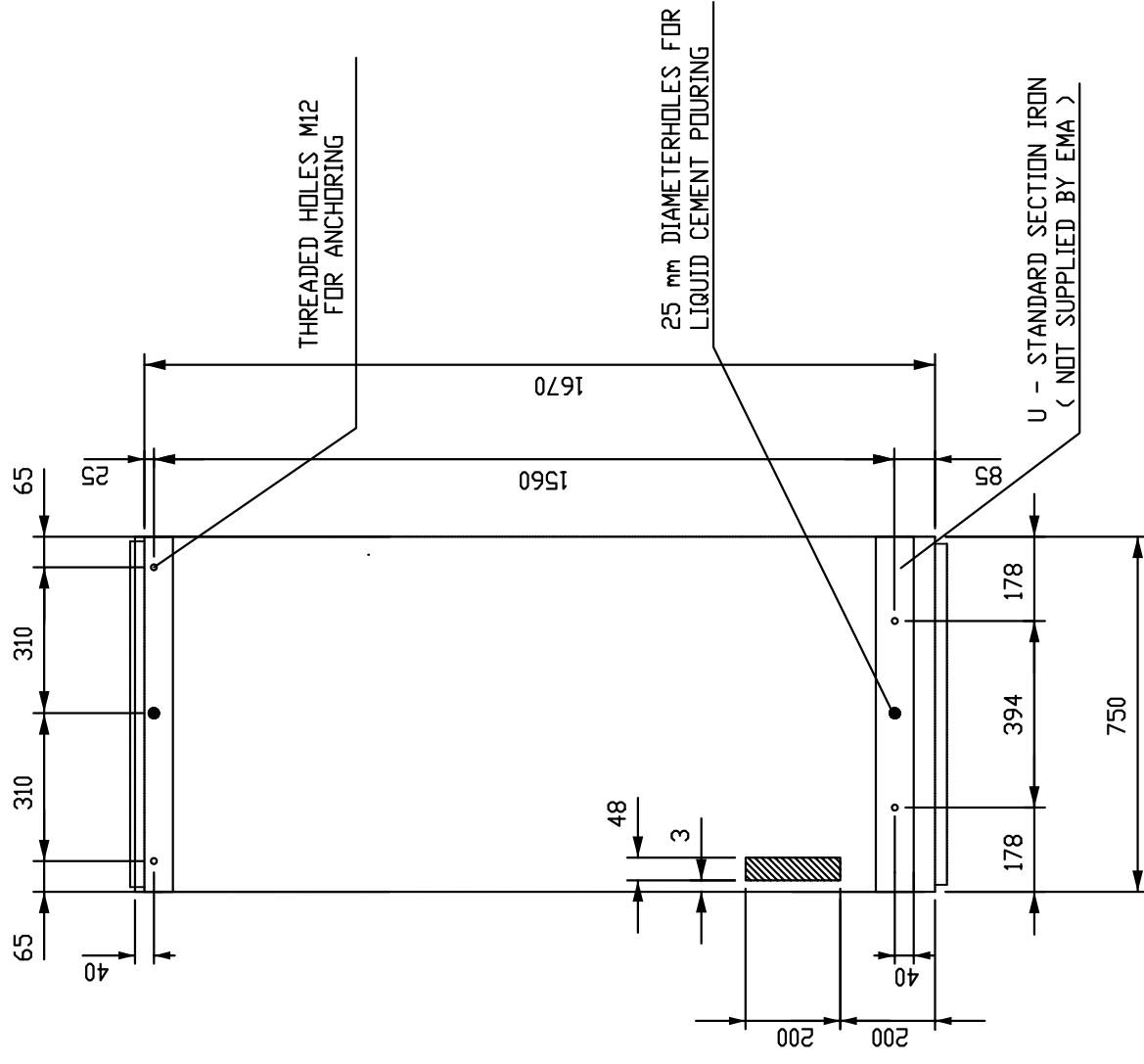
↑  
**FRONT**

**BASE DETAIL FOR OUTGOING FEEDER  
AND AUXILIARY TRANSFORMER**



↑  
**FRONT**

**BASE DETAIL FOR VOLTAGE  
METERING**



↑  
**FRONT**



**KENYA POWER AND LIGHTING COMPANY**  
**KENYA PROJECT KPLC-KABETE SUBSTATION**  
 11 KV PANELS UNIMET C - INDOOR TYPE  
 BASES AND ANCHORAGE

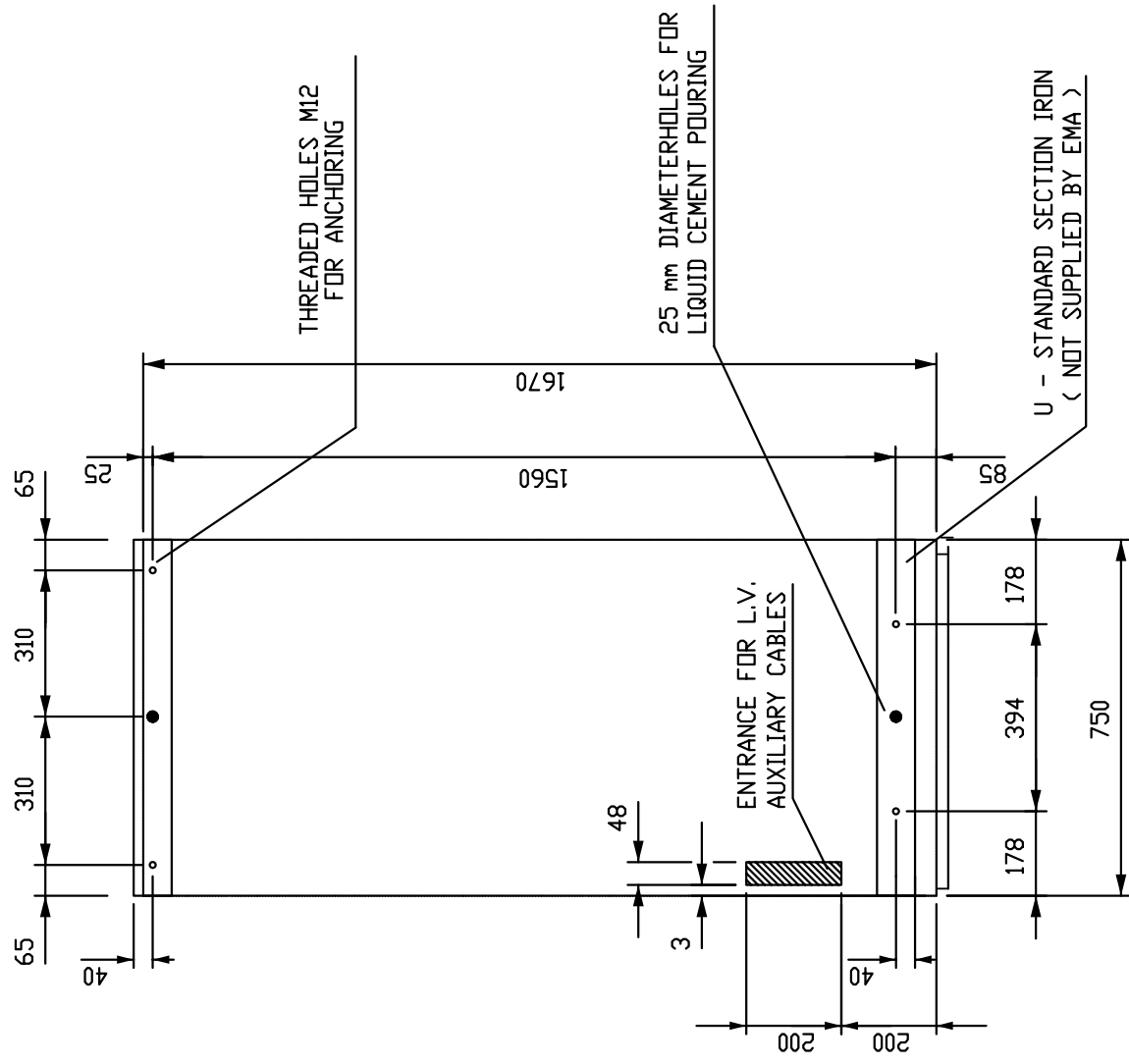
F0856-01-0001

A									
---	--	--	--	--	--	--	--	--	--

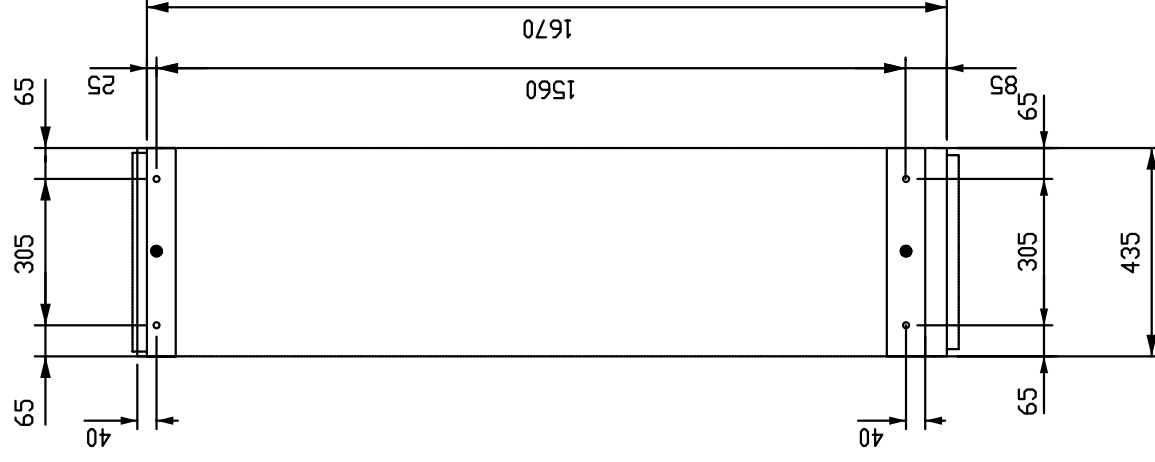
SHEET 5 OF 6

BASES AND ANCHORAGE

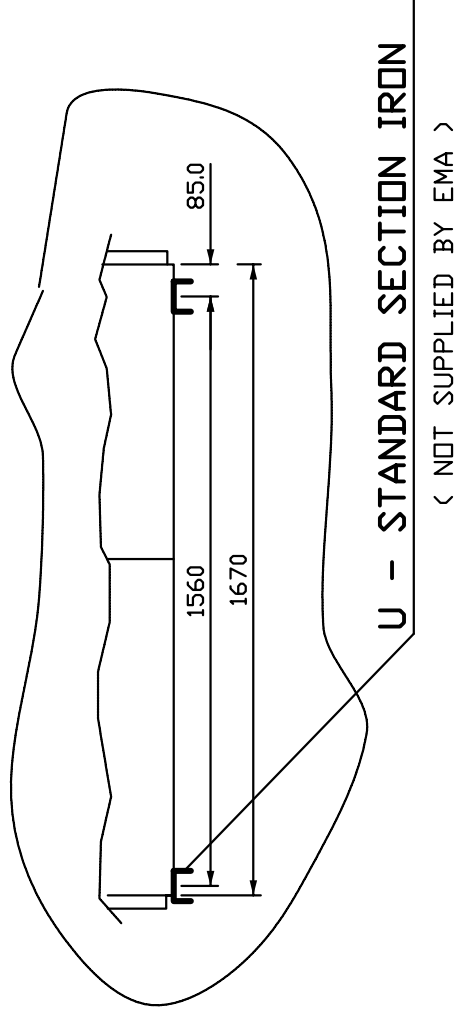
BASE DETAIL FOR BUSBAR SECTIONALIZER



BASE DETAIL FOR BUSBAR RAISER



DETAIL OF ANCHORING



↑  
FRONT

↑  
FRONT



KENYA POWER AND LIGHTING COMPANY  
 KENYA PROJECT KPLC-KABETE SUBSTATION  
 11 KV PANELS UNIMET C - INDOOR TYPE  
 BASES AND ANCHORAGE

F0856-01-0001

A									
---	--	--	--	--	--	--	--	--	--

SHEET 6 OF 6